

1

2

3

4

A

A

B

B

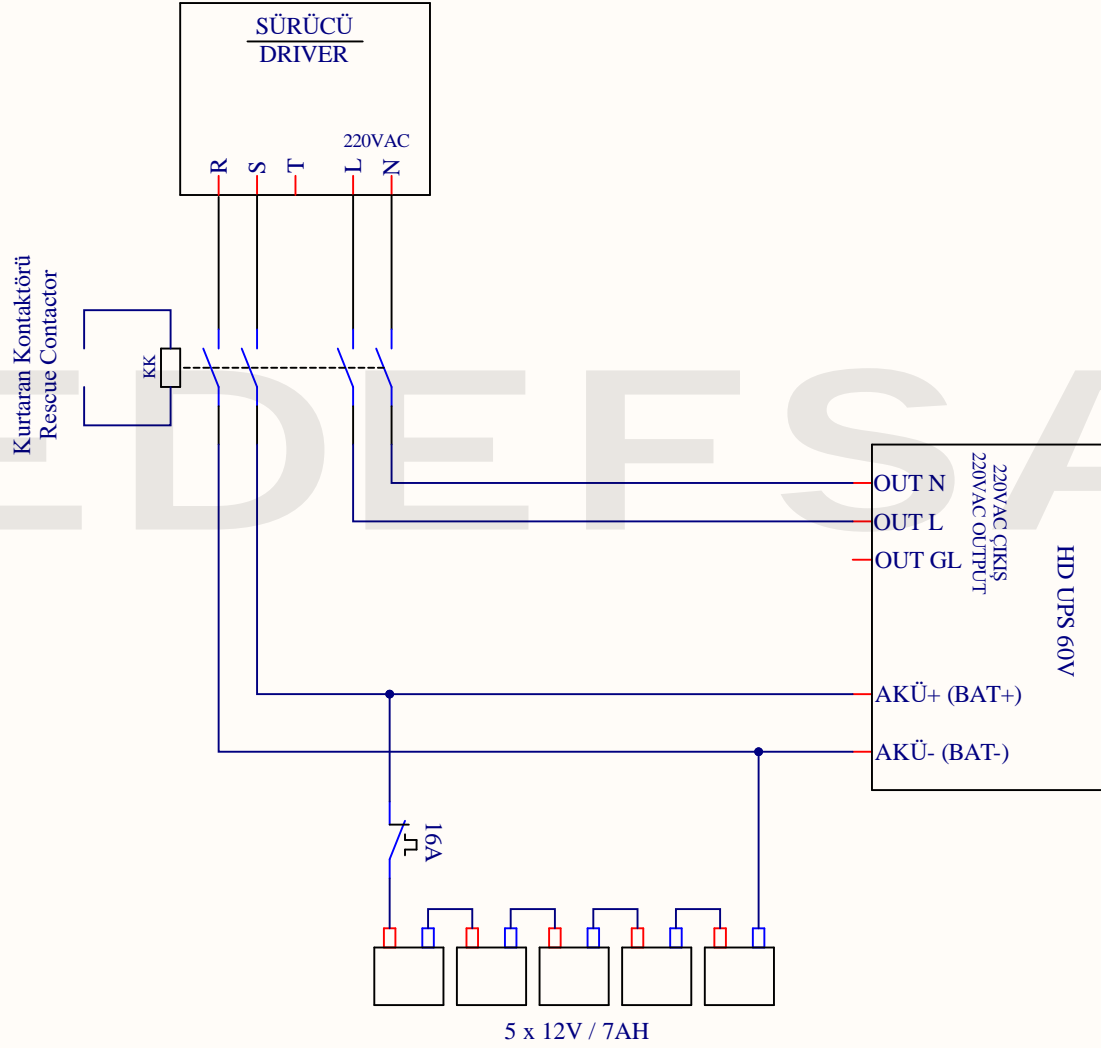
C

C

D

D

HEDEFSAN



1

2

3

4